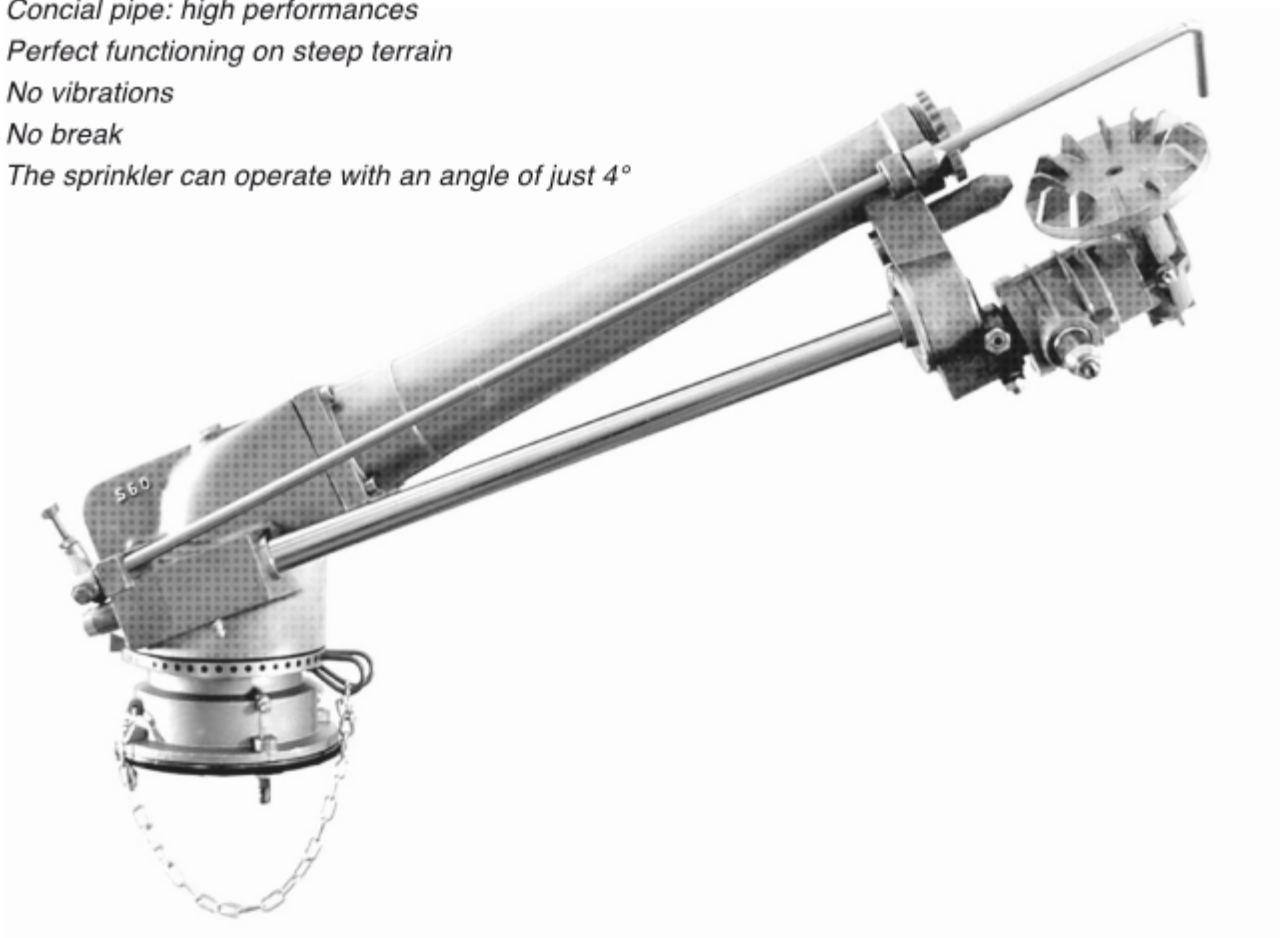


S60 - 25° C.W.

Nodolini flange connection
Big flange connection (Euroflange)
Female thread connection 2" BSP
Female thread connection 2" ½ BSP

- Turbine Sprinkler
- Concial pipe: high performances
- Perfect functioning on steep terrain
- No vibrations
- No break
- The sprinkler can operate with an angle of just 4°



Nozzle Ø mm	Pressure atm.	Discharge l/min	Lenght of jet m
20	4,0 - 4,5 - 5,0	506 - 537 - 566	41 - 43 - 45
22	4,0 - 4,5 - 5,0	612 - 649 - 684	43 - 45 - 47
24	4,0 - 4,5 - 5,0	729 - 774 - 816	45 - 47 - 49
26	4,5 - 5,0 - 5,5	980 - 957 - 1004	47 - 49 - 51
28	4,5 - 5,0 - 5,5	1053 - 1110 - 1164	50 - 52 - 54
30	5,0 - 5,5 - 6,0	1273 - 1335 - 1394	53 - 55 - 57

The technical characteristics are indicative and not binding